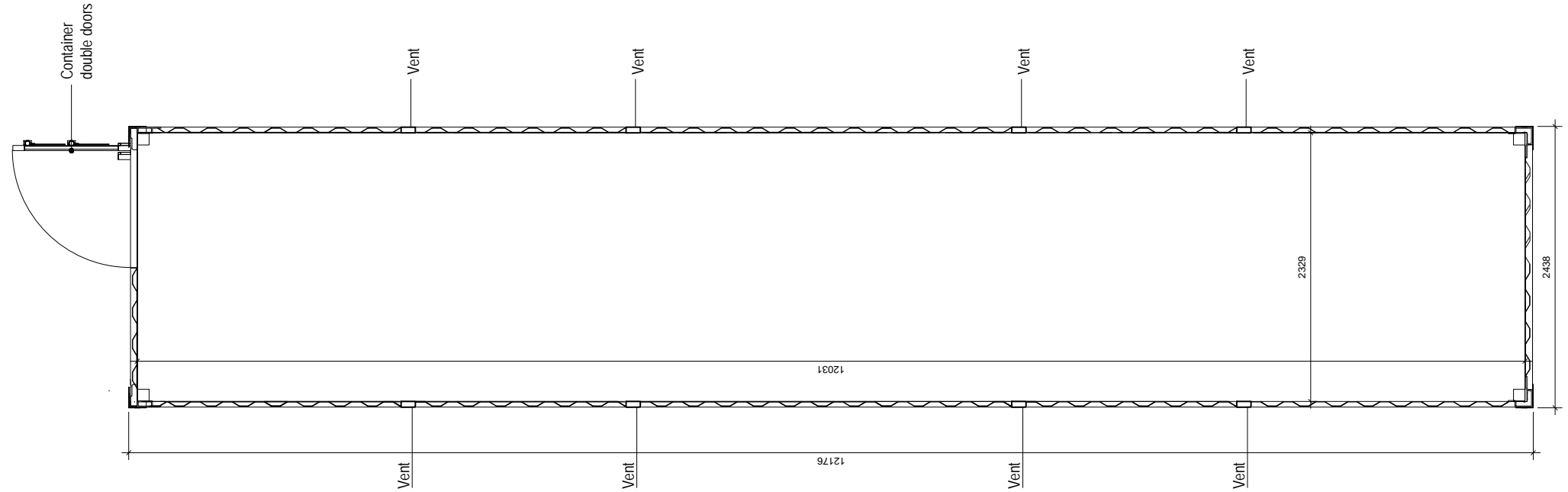


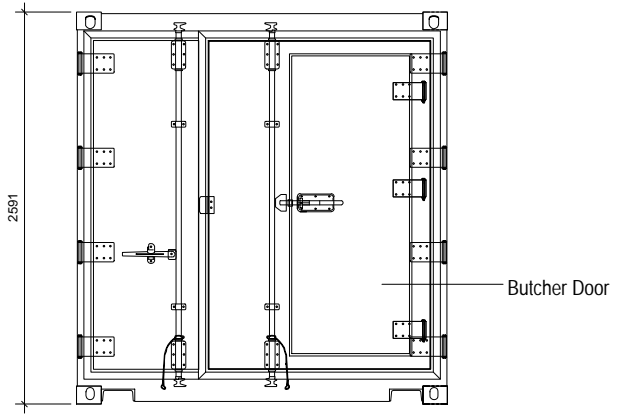
**GENERAL NOTE:**

External Colour: RAL9010  
 Refrigerated Container (Reefer)  
 Temperature range: approx. -25° C to +25° C  
 Digital temperature control system  
 Compatible with external generator (genset)  
 Insulation: High-density injected polyurethane foam  
 Fork Pockets

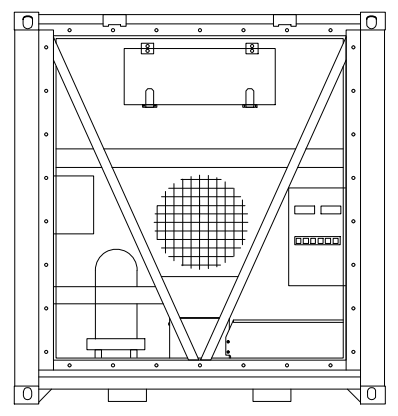
project	
BLOC SPACES	
blocspaces.com	
LONDON UK	
title	
RF-300-E1-S0-9010	
7.5 SQ M Storage Space	
scale	paper
status	revision
drawing no	



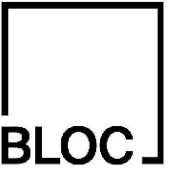
SCALE 1 : 50  
 10ft Container Plan



SCALE 1 : 50  
 10ft Container Elev 01

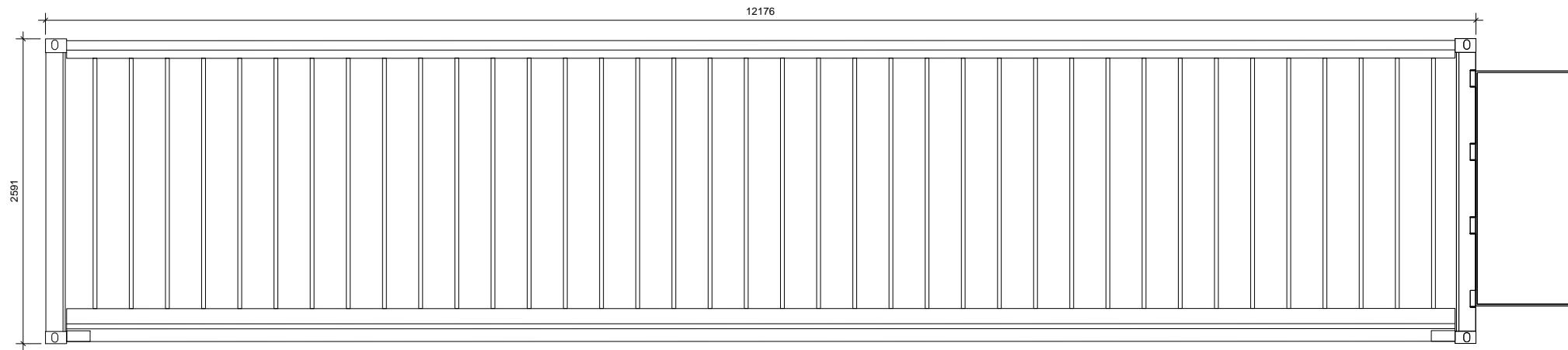


SCALE 1 : 50  
 10ft Container Elev 02

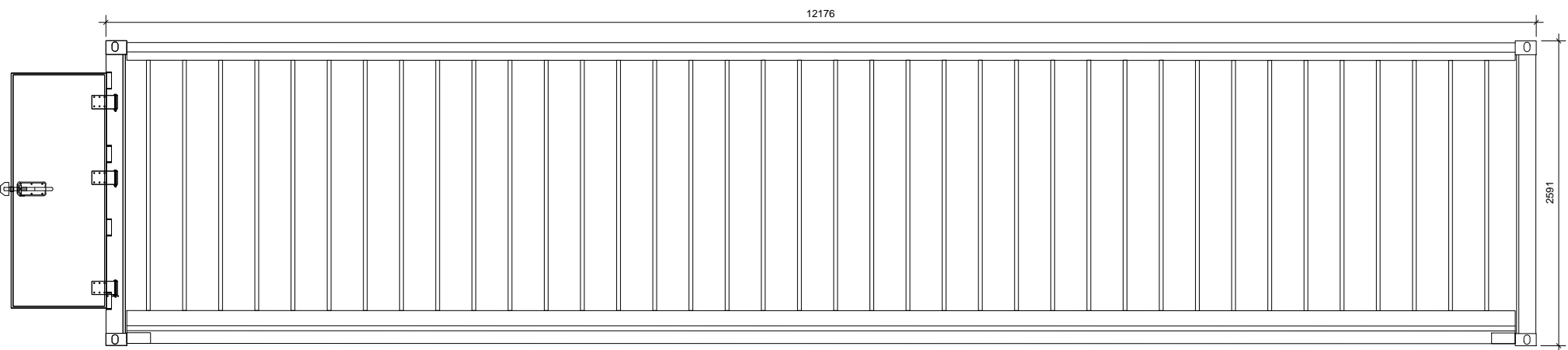


GENERAL NOTE:

External Colour: RAL9010  
Refrigerated Container (Reefer)  
Temperature range: approx. -25° C to +25° C  
Digital temperature control system  
Compatible with external generator (genset)  
Insulation: High-density injected polyurethane foam  
Fork Pockets



SCALE 1 : 50  
10ft Container Elev 03



SCALE 1 : 50  
10ft Container Elev 04

project BLOC SPACES blocspaces.com LONDON UK	
title RF-300-E1-S0-9010 7.5 SQ M Storage Space	
scale	paper
status	revision
drawing no	