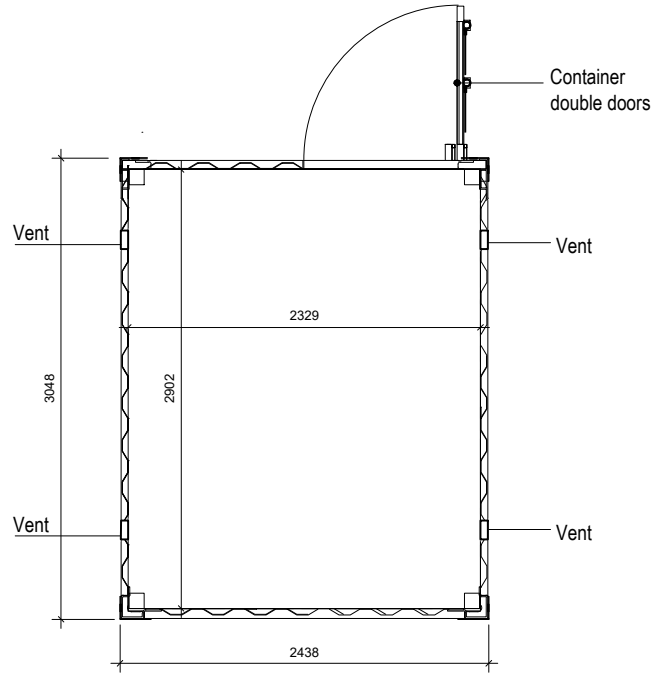
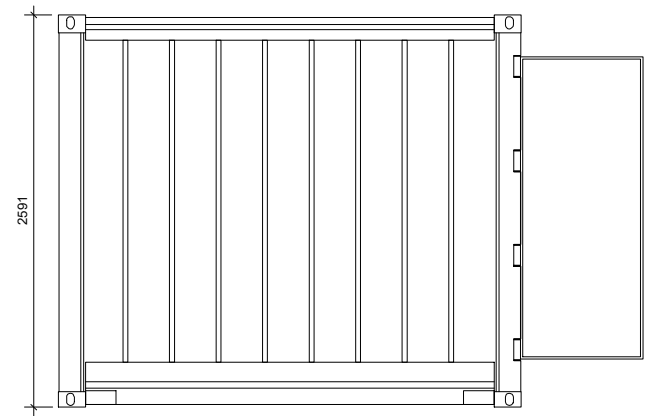


GENERAL NOTE:

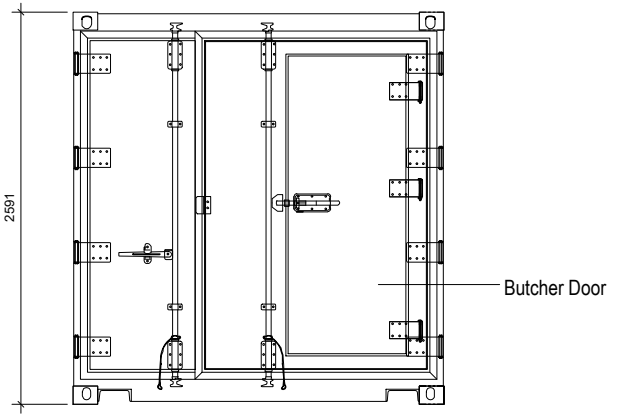
External Colour: RAL5010
 Refrigerated Container (Reefer)
 Temperature range: approx. -25°C to +25°C
 Digital temperature control system
 Compatible with external generator (genset)
 Insulation: High-density injected polyurethane foam
 Fork Pockets



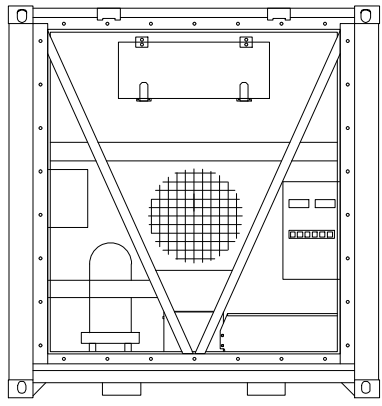
SCALE 1 : 50
 10ft Container Plan



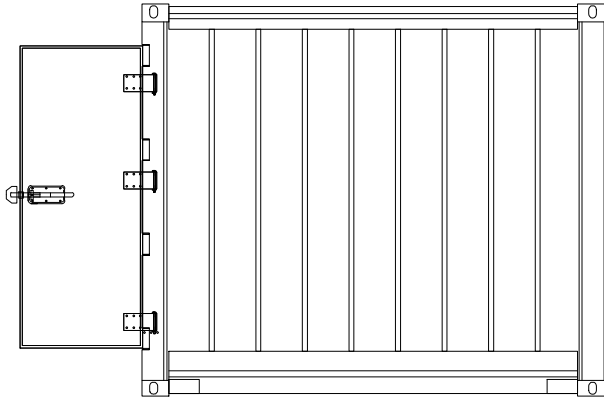
SCALE 1 : 50
 10ft Container Elev 01



SCALE 1 : 50
 10ft Container Elev 02



SCALE 1 : 50
 10ft Container Elev 03



SCALE 1 : 50
 10ft Container Elev 04

project	
BLOC SPACES	
blocspaces.com	
LONDON UK	
title	
RF-075-E1-S0-5010	
7.5 SQ M Storage Space	
scale	paper
status	revision
drawing no	